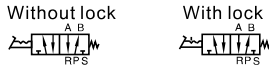


# Foot pedal valve ( 5/2way )

## 4F Series



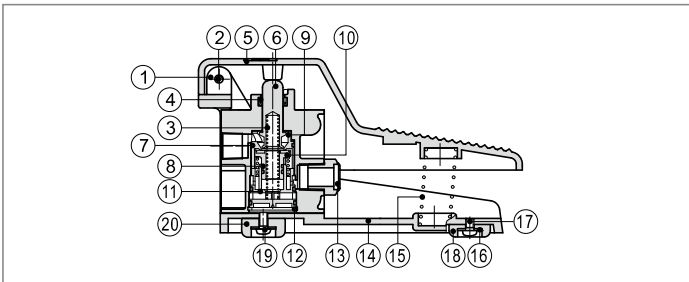
### Symbol



### Product feature

1. The aluminum foot pedal is designed with direct acting, which is steady and reliable.
2. If the duration of direction-change is long, the valves with lock may be selected.
3. The clamping framework is steady and reliable that it is easy and quick to unlock. However, with the limitation of the dimension of structure, it can not bear frequent strong impact.
4. Plastic guard with high strength may be selected.

### Inner structure

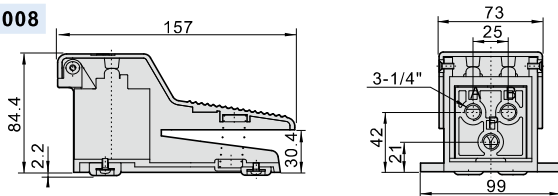


No.	Item	No.	Item	No.	Item	No.	Item
1	Pin	6	Spool	11	Bottom cover	16	Washer
2	Screw	7	O-ring	12	C clip	17	Screw
3	Spring	8	O-ring	13	Silencer	18	Base pad
4	E clip	9	Front cover	14	Base	19	Screw
5	Pedal	10	Piston	15	Pedal spring	20	Base pad

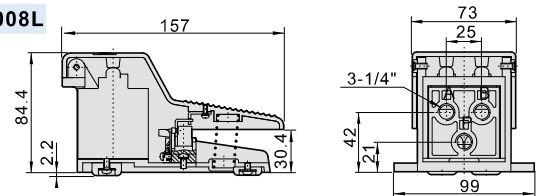
**Note** ⚠ Lockable type should be added grease periodically to ensure the machine can work regularly.

### Dimensions

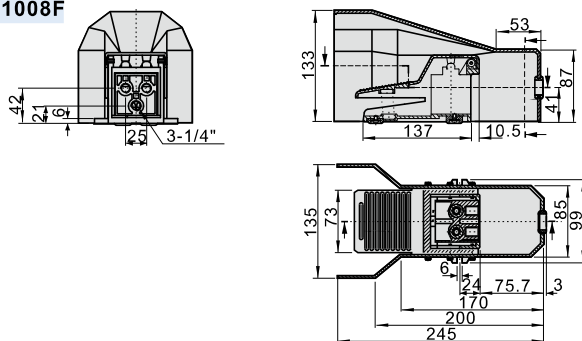
4F21008



4F21008L



4F21008F



4F21008LF

