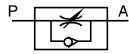


# Flow control valve

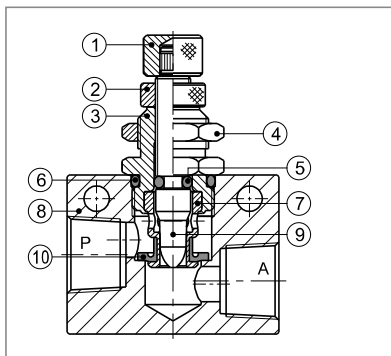
## ASC Series



### Symbol



### Inner structure



No.	Item
1	Adjustment cap
2	Clamping cap
3	Throttle body
4	Hexagon nut
5	O-ring
6	O-ring
7	Throttle sheath
8	Body
9	Throttle column
10	Spool O-ring

### Specification

Model	ASC100-06	ASC200-08	ASC300-10	ASC300-15
Fluid	Air (to be filtered by 40 μm filter element)			
Port size [Note1]	1/8"	1/4"	3/8"	1/2"
Pressure range	0.05~0.95MPa(7~135psi)			
Proof pressure	1.5MPa(215psi)			
Temperature	-20~70°C			
Material body	Aluminum alloy			
Flow (L/min)	Control flow	200	450	1250
	Free flow	400	800	1500

[Note1] G thread is available.

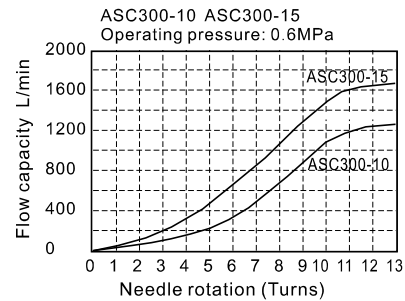
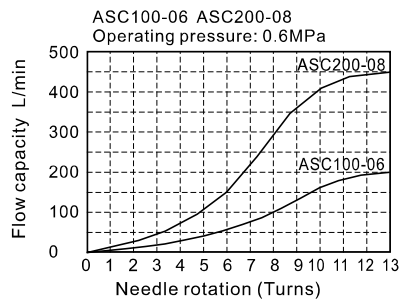
### Product feature

1. Small and compact structure.
2. Allows air to exhaust and cut off air flow. The adjustment screw is both sensitive and precise.
3. Can be mounted in various position to facilitate installation and application.

### Ordering code

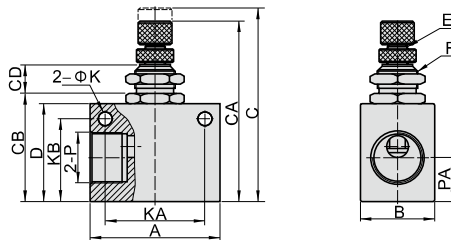
ASC 300 10 G			
① Model	② Code	③ Port size	④ Thread type
ASC: Flow control valve	100: 100 series	06: 1/8"	G: G
	200: 200 series	08: 1/4"	
	300: 300 series	10: 3/8" 15: 1/2"	

### Flow chart

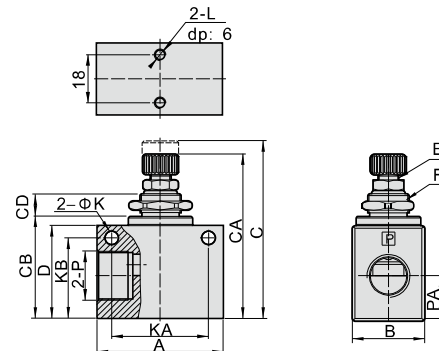


### Dimensions

#### ASC100\ASC200



#### ASC300



Model\Item	A	B	C	CA	CB	CD	D	E	F	K	KA	KB	L	P	PA
ASC10006	32	18	52.5	47	26	8.6	23	M6×0.5	M12×0.75	4.3	22	18	M4×0.7	1/8"	10
ASC20008	36	18	56.5	51	30	8.6	27	M6×0.5	M12×0.75	4.3	26	23	M4×0.7	1/4"	13.5
ASC30010	50	28	74	65	40.5	10	37	M8×0.75	M16×1.0	5.3	35	32	M4×0.7	3/8"	17.5
ASC30015	50	28	74	65	40.5	10	37	M8×0.75	M16×1.0	5.3	35	32	M4×0.7	1/2"	17.5