

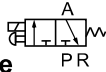
Micro-solenoid valve(3/2 way)



CPV15 Series



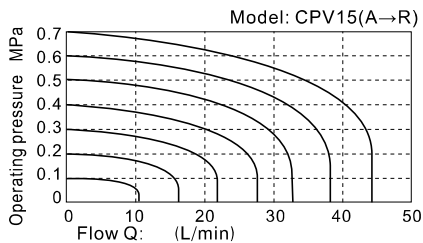
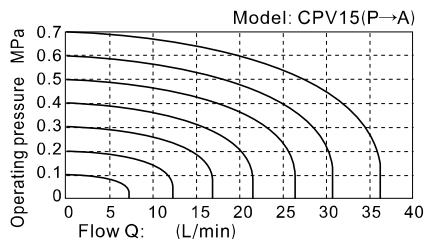
Symbol



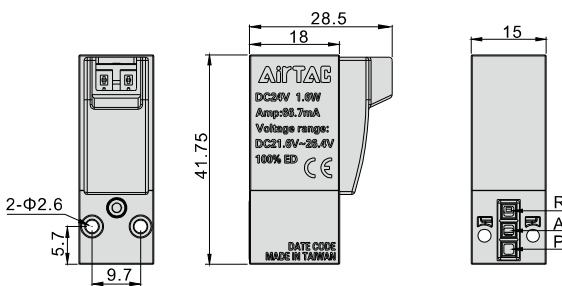
Product feature

1. None polarity design of DC circuit, the direction(vertical or horizontal) of wiring can be adjusted freely according to the installation demand.
2. Low starting voltage and long service life.
3. There is no buzzing by the usage of AC power supply .
4. With surge device can avoid the damage of solenoid valve by surge voltage.

Flow chart



Dimensions



Specification

| Model | CPV15 | | | | |
|----------------------------|---|--------|-------|-------|-------|
| Fluid | Air(to be filtered by 40 μ m filter element) | | | | |
| Acting | Direct acting | | | | |
| Orifice size | Φ0.8mm | | | | |
| Valid area or section | 0.44mm ² (Cv=0.024); 0.55mm ² (Cv=0.03) | | | | |
| Valve type | 3 port 2 position | | | | |
| Weight | micro-solenoid valve | 33.2g | | | |
| | Wire | 050: | 4.6g | 200: | 21.4g |
| | Screw(2pcs) | 1.45g | | | |
| Operating pressure | 0.15~0.8MPa(21~114psi) | | | | |
| Proof pressure | 1.2MPa(175psi) | | | | |
| Temperature | -20~70°C | | | | |
| Standard voltage | AC220V | AC110V | AC24V | DC24V | DC12V |
| Scope of voltage | DC±10%; AC+15%~-10% | | | | |
| Protection | Dustproof | | | | |
| Temperature classification | F Class | | | | |
| Power consumption | DC: 1.6W □ AC: 2.0VA | | | | |
| Electrical entry | Terminal | | | | |
| Activating time | on<10ms; off<10ms | | | | |

Ordering code

Ordering code of valve's body

CPV 15 B P-050



| ① Model | ② Width of body | ③ Voltage | ④ Code of manual override | ⑤ Wire length [Note 1] |
|--------------------------------------|-----------------|--|---------------------------|------------------------|
| CPV: CPV series micro-solenoid valve | 15: 15mm | A: AC220V B: DC24V C: AC110V E: AC24V F: DC12V | P: With manual override | 050: 0.5m 200: 2.0m |

[Note 1] Attach the two M2.5 screws.

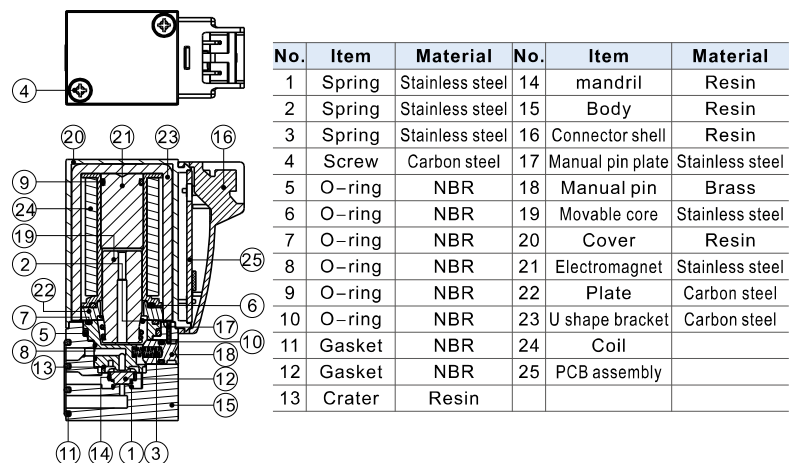
Ordering code of wire

CPV T 050



| ① Model | ② Wire | ③ Wire length | |
|--------------------------------------|---------|---------------|-------------------------------------|
| CPV: CPV series micro-solenoid valve | T: Wire | 050: 0.5m | 300: 3.0m 200: 2.0m 500: 5.0m |

Inner structure



Installation and Application

1. Valve body installation:
Use two M2.5 X 19 screws to mount the valve by 0.4~0.45N.
2. Wiring instruction:
Vertical and horizontal insertion share the same terminal port for different practical applications.
Note: There is no polarity for terminal wire.
3. AC coil is forbidden to connect with other devices.

