

Features

- ◇ Standard fitting for suction cup , easy for selection.
- ◇ Separate structure design, reusable and reduce cost greatly.



How to order

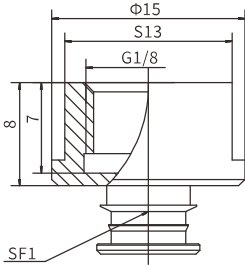
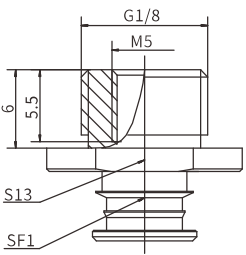
PJS - G1F - SF1 - EW

① ② ③ ④

① Series	② Connection thread	③ Suction cup connection	④ Special specification
PJS	M3M - M3 Male thread	SF (1-7)	Nil - Default ,without special specification
	M5F - M5 Female thread	SC (1-6)	EW - Built-in mesh filter
	M5M - M5 Male thread	ST (1-8)	EH - Built-in mesh filter and vacuum efficiency valve
	M8M - M8 Male thread		
	G1F - G1/8 Female thread		
	G1M - G1/8 Male thread		
	G2F - G1/4 Female thread		
	G2M - G1/4 Male thread		
	G3F - G3/8 Female thread		
	G4F - G1/2 Female thread		

◇ Note: Optional special specifications such as EW and EH.

SF type

Model/ Diagram	Special specification	Applicable suction cup	Model/ Diagram	Special specification	Applicable suction cup
PJS-G1F-SF1 	EW	SU20 , 25 , 30	PJS-G1M-SF1 	EW	SU20 , 25 , 30
	EH	SF20 , 25 , 30 SB17 , 20 SBL20 SBP20 SXP20 , 25 , 30 SFP20 , 30 SGP25 , 35		EH	SF20 , 25 , 30 SB17 , 20 SBL20 SBP20 SXP20 , 25 , 30 SFP20 , 30 SGP25 , 35

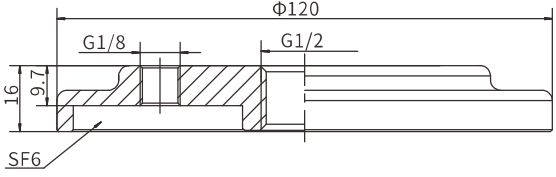
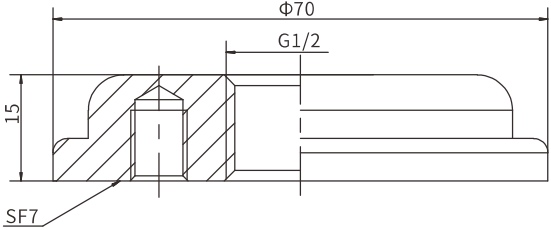
SF type

Model/ Diagram	Special specification	Applicable suction cup	Model/ Diagram	Special specification	Applicable suction cup
<p>PJS-G1F-SF2</p>	EW EH	SU40 SF40 SB30, 40 SBL30, 40 SBP30, 40 SXP35, 40 SFP40 SGP45	<p>PJS-G1M-SF2</p>	EW EH	SU40 SF40 SB30, 40 SBL30, 40 SBP30, 40 SXP35, 40 SFP40 SGP45
<p>PJS-G2F-SF3</p>	EW EH	SU50 SF50 SB50 SBL50 SBP50 SXP50 SGP55	<p>PJS-G2M-SF3</p>	EW EH	SU50 SF50 SB50 SBL50 SBP50 SXP50 SGP55
<p>PJS-G3F-SF3</p>	EW EH	SU50 SF50 SB50 SBL50 SBP50 SXP50 SGP55	<p>PJS-G3M-SF3</p>	EW EH	SU50 SF50 SB50 SBL50 SBP50 SXP50 SGP55
<p>PJS-G2F-SF4</p>	EW	SF75 SB75	<p>PJS-G4F-SF5</p>	EW	SF110 SB110

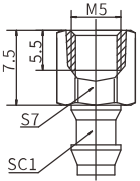
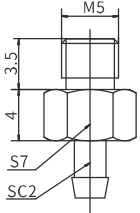
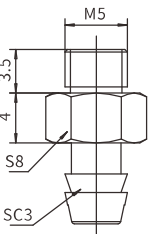
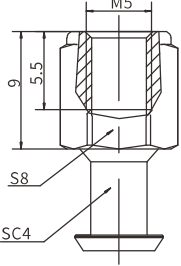
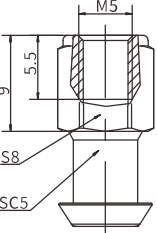
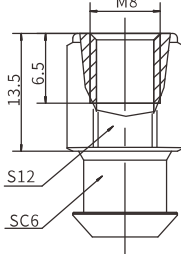
Mounting Parts

- PSPE
- PSPT
- PSPH
- PSPD
- PSPF
- PJS**
- PJT
- PJF
- PJB
- PJE
- PJH

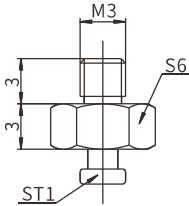
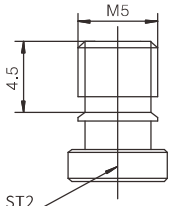
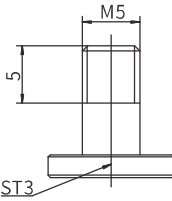
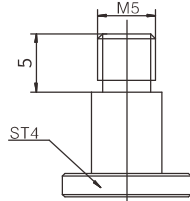
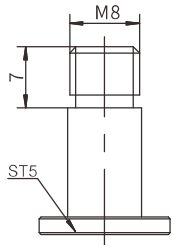
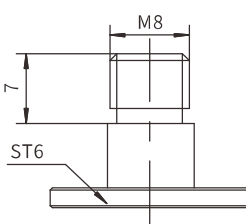
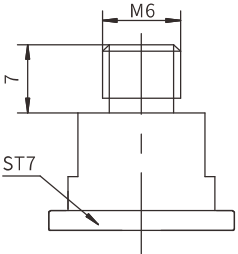
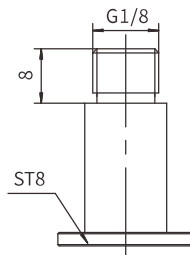
SF type

Model/ Diagram	Special specification	Applicable suction cup	Model/ Diagram	Special specification	Applicable suction cup
PJS-G4F-SF6	EW	SF150 SB150	PJS-G4F-SF7	EW	SF200
					

SC type

Model/ Diagram	Applicable suction cup	Model/ Diagram	Applicable suction cup
PJS-M5F-SC1	SZU2, 4, 6, 8 SZB6, 8 SB6	PJS-M5M-SC2	SU6, 8 SB5, 8
			
PJS-M5M-SC3	SU10, 15 SF15 SB10, 12, 15 SBL15 SBA11, 14, 16 SBA20, 22, 25 SBP10, 15 SPC12, 25	PJS-M5F-SC4	SZU10, 13, 16 SZB10, 13, 16 SZC10, 13, 16 SZD10, 16
			
PJS-M5F-SC5	SZU20, 25, 32 SZB20, 25, 32 SZC20, 25, 32 SZD25	PJS-M8F-SC6	SZU40, 50 SZB40, 50 SZC40, 50 SZD40
			

ST type

Model/ Diagram	Applicable suction cup	Model/ Diagram	Applicable suction cup
<p>PJS-M3M-ST1</p> 	<p>SPF2 , 3.5 SPJ4</p>	<p>PJS-M5M-ST2</p> 	<p>SPA10A , 10B SPA15A , 15B , 15X SPA20A , 20B SPF5 , 6 , 8 , 10 , 15 SPJ6 , 8 , 10 , 15 SPC5 , 7</p>
<p>PJS-M5M-ST3</p> 	<p>SPA30B SPF20 SPJ20 , 25</p>	<p>PJS-M5M-ST4</p> 	<p>SPF25 , 30 , 35 , 40 SPJ30 , 35 , 40</p>
<p>PJS-M8M-ST5</p> 	<p>SPC30 , 40 , 60</p>	<p>PJS-M8M-ST6</p> 	<p>SPF50 SPJ50</p>
<p>PJS-M6M-ST7</p> 	<p>SPA25A , 30A SPA40A , 50A</p>	<p>PJS-G1M-ST8</p> 	<p>SPC90</p>

Mounting Parts

- PSPE
- PSPT
- PSPH
- PSPD
- PSPF
- PJS**
- PJT
- PJF
- PJB
- PJE
- PJH