

Features

- ◇ Straight through design, one-touch fitting, with bracket, easy assemble.
- ◇ Small size and light weight.
- ◇ The housing is transparent with arrows on it indicating the direction of the airflow.
- ◇ Transparent housing , easy to indicate degree of contamination.
- ◇ Filter element is replaceble.
- ◇ Suitable for vacuum or positive pressure system.



Applications

- ◇ Suitable for vacuum system and positive pressure with light or medium dirt level.

How to order

ZFA 5 4 B
① ② ③ ④

① Series	② Filter area	③ Hose diameter	④ Bracket
ZFA	5 - Filter area 790mm ² 7 - Filter area 1280mm ²	4 - Φ4 Hose 6 - Φ6 Hose 8 - Φ8 Hose 10 - Φ10 Hose 12 - Φ12 Hose	B - Default, with bracket

Selection

Model	Hose diameter					Bracket
	4	6	8	10	12	
ZFA5	●	●	-	-	-	●
ZFA7	-	●	●	●	●	●

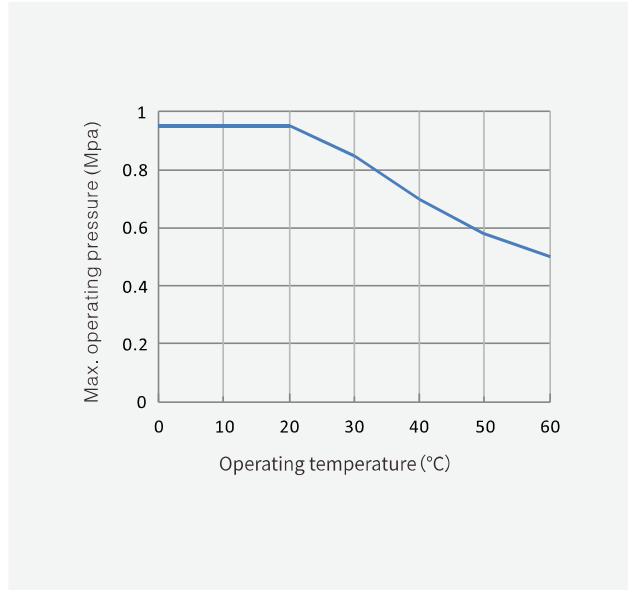
◇ Note: "●"- Default, in stock. "-"-unavailable.

Technical parameters

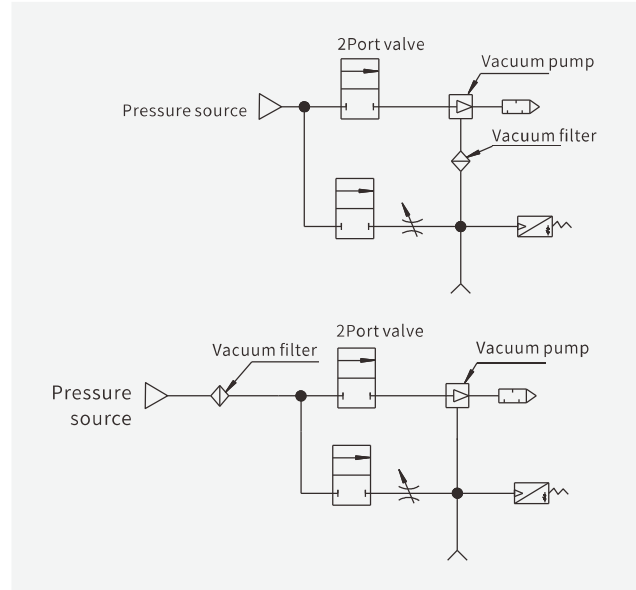
Model	Applicable hose dia. (mm)	Fluid	Rated operating pressure range	Max pressure resistance	Positive pressure flow (L/min)	Vacuum flow (L/min)	Ambient and fluid temperature(°C)	Removal efficiency (μm)
ZFA54B	Φ4	Air, Nitrogen	-0.1~1.0MPa	1.2MPa	40	10	0~60	5
ZFA56B	Φ6				130	75		
ZFA76B	Φ6				140	80		
ZFA78B	Φ8				280	110		
ZFA710B	Φ10				320	120		
ZFA712B	Φ12				370	140		

◇Note: Positive pressure flow is tested at air supply pressure 0.1MPa.

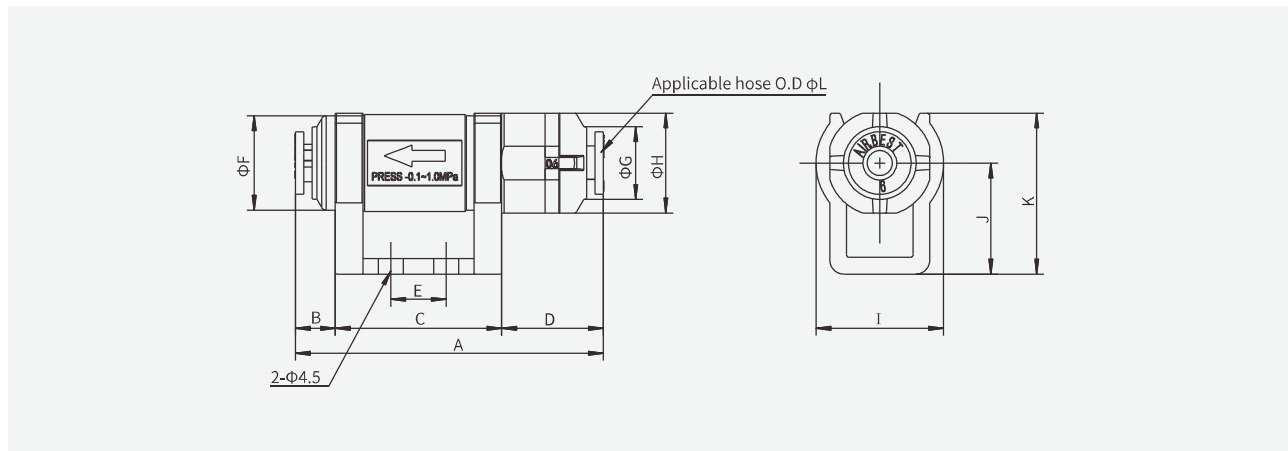
Max. operating pressure and temperature



Application diagram



Dimensions (mm)



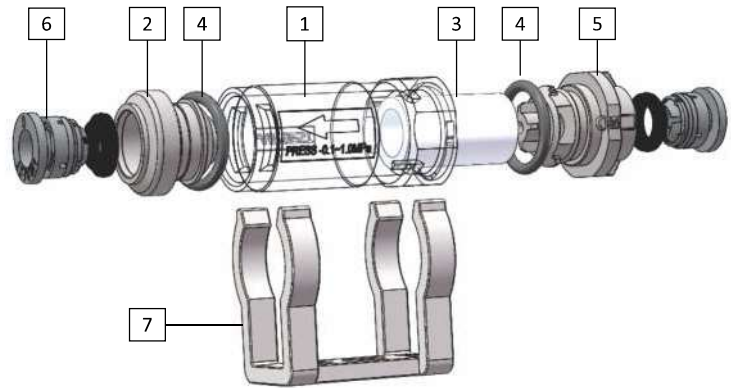
Model/Size	A	B	C	D	E	F	G	H	I	J	K	L
ZFA54B	55.5	8	30	10	10	17	13	19	23	20	29	4
ZFA56B	55.5	8	30	10	10	17	13	19	23	20	29	6
ZFA76B	67	10.5	34	12	14	21.5	15.5	23	29	24	35	6
ZFA78B	69.5	12	34	13	14	21.5	16	23	29	24	35	8
ZFA710B	78.5	17	34	18	14	21.5	19.5	23	29	24	35	10
ZFA712B	78.5	17	34	18	14	21.5	21	23	29	24	35	12

Vacuum Accessories

- ZFA
- ZFB
- ZFL
- ZFP
- ZVAB
- ZVAC
- ZVAA
- ZVEA
- ZVR
- ZVRM
- ZVCM
- ZVT
- ZPDA
- ZPDB
- ZCE
- ZSA
- ZPMR

Structural diagram

No.	Item	Material	Q'ty
1	Housing	PC	1
2	Rear cap	PBT	1
3	Filter element	PE	1
4	O-ring	NBR	2
5	Front cap	PBT	1
6	One-touch fitting	-	2
7	Bracket	PBT	1



Repair kits



Tool

Tool model	Applicable vacuum filter
ZFA5-SP	ZFA54, 56
ZFA7-SP	ZFA76, 78, 710, 712



Filter element

Filter element model	Dimension	Applicable vacuum filter
ZFA5-FE	8x12xL20	ZFA54, 56
ZFA7-FE	12x16xL25	ZFA76, 78, 710, 712

Filter element replacement

1. Stop supplying air and reduce the pressure in the vacuum filter to atmospheric pressure.
2. Put tool on the front cap and turn it 90° anti-clockwise.
3. Pull out the front cap, remove the filter element, and if there is dust inside the housing, clean it with an air gun (make sure that it does not damage the O-ring).
4. Install new filter element on the front cap and insert it into the housing.
5. Align the side without number of front cap at the limit mark, and push it until touching the housing.
6. Rotate clockwise with the tool until it stops (align the number at the limit mark).

Cautions:

1. When connecting the hose, check the arrow indicating the flow direction. If reverse connecting, airtightness of the filter element cannot be ensured.
2. In one air line, positive and negative pressure should not be used at the same time.
3. Please make sure not to damage the O-ring during assembling and disassembling. And please confirm that there is no air leakage after the filter element is replaced.
4. The vacuum filter and hose shall not withstand external force such as torsion, pull, load, vibration, impact, etc., and external force may cause danger at high positive pressure.
5. There is anti-rotating structure at the limit mark. After replacing the filter element, please confirm the position of the limit mark.
6. Please use vacuum filter at rated working pressure.
7. Compressed air operation may cause danger. Therefore, filter replacement and other maintenance should be operated by a person who has sufficient knowledge and experience in air mechanics while complying with product specifications.

