

Features

- ◇ Filter dust and other particles from the vacuum flow.
- ◇ Transparent housing, easy to indicate the degree of contamination.
- ◇ Filter element is replaceable.
- ◇ Reduces the risk of operation breakdown or stoppage in the vacuum pump.
- ◇ Various nominal flow rate for option.



Application

- ◇ Suitable for vacuum system with light or medium dirt level.
- ◇ Ideal for using as prefilters, and fine filters for air with varying degrees of contamination

How to order

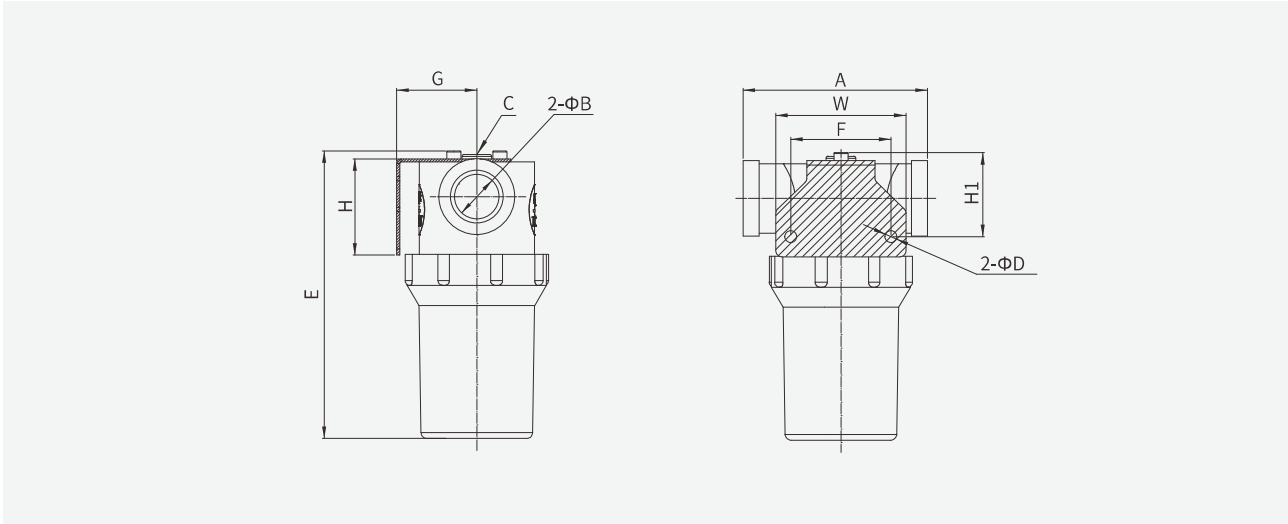
ZFB 15 B
① ② ③

① Series	② Connection thread	③ Bracket	Material of filter element
ZFB	10 - G3/8 Female thread 15 - G1/2 Female thread 20 - G3/4 Female thread 25 - G1" Female thread 40 - G1"1/2 Female thread	B - Default, with bracket	PE, Removal efficiency 10µm

Technical parameters

Model	Operating pressure (kPa)	Material	Temperature (°C)	Removal efficiency (µm)	Nominal flow (NL/min)	Internal volume (cm ³)	Filter area (m ²)	Weight (g)
ZFB10	-100~0	PA	-20~80	10(PE)	150	45	0.003	70
ZFB15		PC			900	195	0.010	168
ZFB20		PE			900	205	0.010	170
ZFB25					2,520	495	0.019	424
ZFB40					5,100	675	0.023	550

Dimensions (mm)



Model/ Size	A	B	C	D	E	F	G	H	H1	W
ZFB10	76.5	2-G3/8	NPSF1/8	6	74.5	50	40	48	43.5	65
ZFB15	91.5	2-G1/2	NPSF1/8	6	134.5	50	40	48	43.5	65
ZFB20	92	2-G3/4	NPSF1/8	6	143.5	50	40	48	43.5	65
ZFB25	127	2-G1"	NPSF1/8	6	169.5	70	56	52	48	85
ZFB40	127	2-G1"1/2	NPSF1/8	6	212.5	70	56	52	48	85

Repair kits



Filter element

Model	Applicable vacuum filter
ZFB10-FE	ZFB10
ZFB20-FE	ZFB15, 20
ZFB25-FE	ZFB25
ZFB40-FE	ZFB40