

Features

- ◇ Stainless steel guide rod, corrosive resistance and wear resistance.
- ◇ Built-in oilless bushing has good wear resistance, which enhances lifetime.
- ◇ Horizontal vacuum circuit design can connect with multiple level compensators.
- ◇ Non-rotating design ensures accurate positioning of workpiece.



Applications

- ◇ Small size and light spring, suitable for electronics industry.

How to order

PSPE - I 10 L A4 M5M - M10

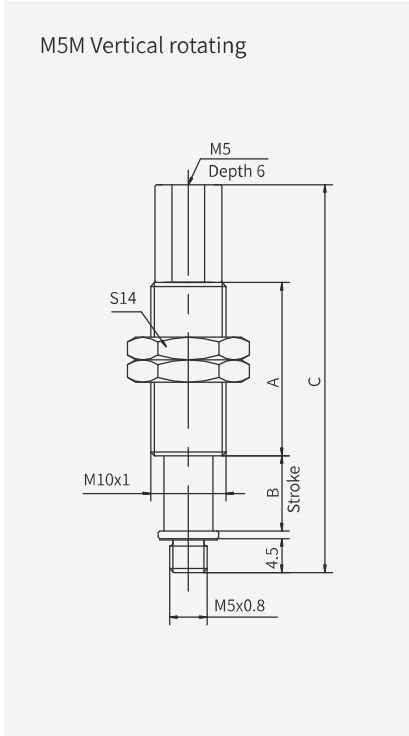
① ② ③ ④ ⑤ ⑥ ⑦

① Series	② Buffer style	③ Buffer stroke	④ Rotary type
PSPE	I - Built-in spring	10 20 30 40 50	Nil - Vertical rotating R - Vertical non-rotating L - Lateral rotating B - Lateral non-rotating
⑤ Vacuum port connection		⑥ Suction cup connection	⑦ Mounting thread
Nil - Default, G1/8 female thread (mounting thread M14) - Default, M5 female thread (mounting thread M8/M10) A4 - One touch fitting ϕ 4 hose A6 - One touch fitting ϕ 6 hose		M5M - M5 Male thread M5F - M5 Female thread M8M - M8 Male thread M8F - M8 Female thread	M8 - M8 \times 1 M10 - M10 \times 1 M14 - M14 \times 1

Selection

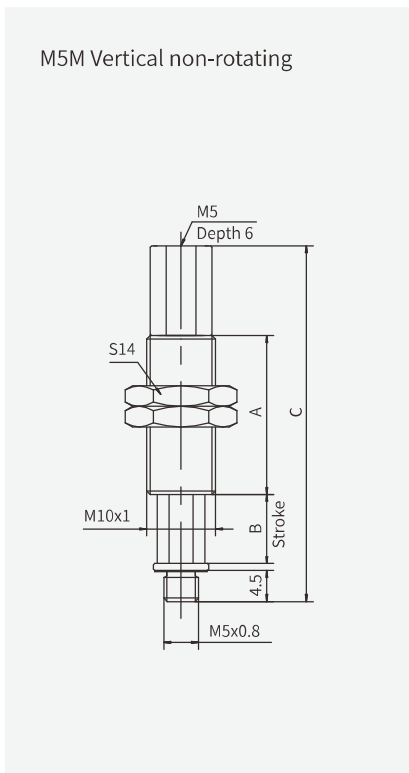
Model	Buffer stroke	Rotary type	Vacuum port connection	Suction cup connection	Mounting thread
PSPE-I	10 20	Vertical rotating	M5	M5M/M5F	M10
	30 40	R	M5	M5M	M10
	50	L/B	A4/A6	M5M	M8/M10
	10 20	Vertical rotating	G1/8	M8M/M8F	M14
	30 50				

Dimensions (mm)



Model/size	A	B	C	F1 (N)	F2 (N)
PSPE-I10M5M-M10	23	10	51.5	1.0	3.0
PSPE-I20M5M-M10	51	20	89.5		
PSPE-I30M5M-M10	51	30	99.5		
PSPE-I40M5M-M10	77	40	135.5		
PSPE-I50M5M-M10	77	50	145.5		

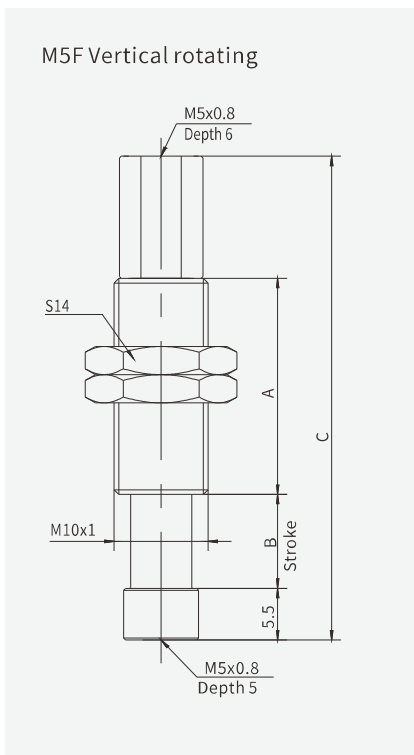
◇ Note: "F1 " means spring force at 0 stroke, F2 means spring force at max stroke.



Model/size	A	B	C	F1 (N)	F2 (N)
PSPE-I10RM5M-M10	23	10	51.5	1.0	3.0
PSPE-I20RM5M-M10	51	20	89.5		
PSPE-I30RM5M-M10	51	30	99.5		
PSPE-I40RM5M-M10	77	40	135.5		
PSPE-I50RM5M-M10	77	50	145.5		

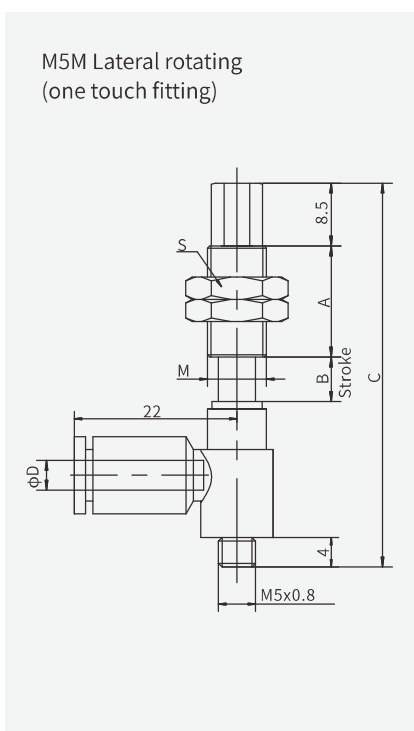
◇ Note: "F1 " means spring force at 0 stroke, F2 means spring force at max stroke.

Dimensions (mm)



Model/size	A	B	C	F1 (N)	F2 (N)
PSPE-I10M5F-M10	23	10	51.5	1.0	3.0
PSPE-I20M5F-M10	51	20	89.5		
PSPE-I30M5F-M10	51	30	99.5		
PSPE-I40M5F-M10	77	40	135.5		
PSPE-I50M5F-M10	77	50	145.5		

◇ Note: "F1 " means spring force at 0 stroke, F2 means spring force at max stroke.

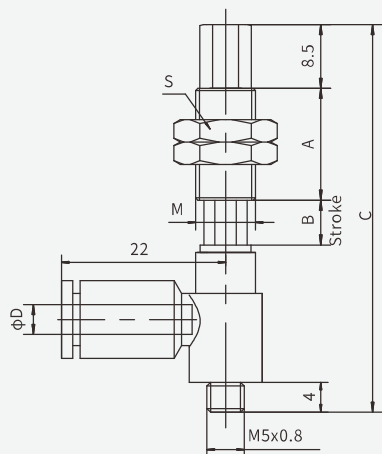


Model/size	A	B	C	D	S	M	F1(N)	F2(N)
PSPE-I6LA4M5M-M8	15	6	52	4	12	M8×1	0.8	1.2
PSPE-I6LA6M5M-M8	15	6	52	6				
PSPE-I10LA4M5M-M8	43	10	84	4				
PSPE-I10LA6M5M-M8	43	10	84	6				
PSPE-I15LA4M5M-M8	43	15	89	4				
PSPE-I15LA6M5M-M8	43	15	89	6				
PSPE-I25LA4M5M-M8	43	25	99	4				
PSPE-I25LA6M5M-M8	43	25	99	6				
PSPE-I10LA4M5M-M10	23	10	64	4	14	M10×1	1.0	3.0
PSPE-I10LA6M5M-M10	23	10	64	6				
PSPE-I20LA4M5M-M10	51	20	102	4				
PSPE-I20LA6M5M-M10	51	20	102	6				
PSPE-I30LA4M5M-M10	51	30	112	4				
PSPE-I30LA6M5M-M10	51	30	112	6				
PSPE-I40LA4M5M-M10	77	40	148	4				
PSPE-I40LA6M5M-M10	77	40	148	6				
PSPE-I50LA4M5M-M10	77	50	158	4				
PSPE-I50LA6M5M-M10	77	50	158	6				

◇ Note: "F1 " means spring force at 0 stroke, F2 means spring force at max stroke.

Dimensions (mm)

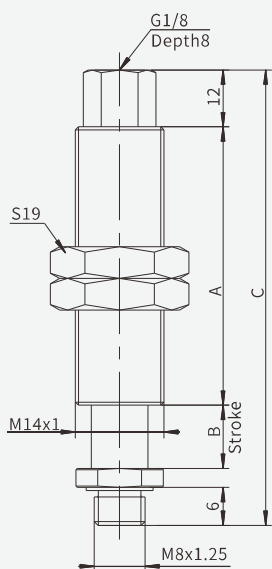
M5M Lateral non-rotating
(one touch fitting)



Model/size	A	B	C	D	S	M	F1(N)	F2(N)
PSPE-I6BA4M5M-M8	15	6	52	4	12	M8×1	0.8	1.2
PSPE-I6BA6M5M-M8	15	6	52	6				
PSPE-I10BA4M5M-M8	43	10	84	4				
PSPE-I10BA6M5M-M8	43	10	84	6				
PSPE-I15BA4M5M-M8	43	15	89	4				
PSPE-I15BA6M5M-M8	43	15	89	6				
PSPE-I25BA4M5M-M8	43	25	99	4				
PSPE-I25BA6M5M-M8	43	25	99	6				
PSPE-I10BA4M5M-M10	23	10	64	4	14	M10×1	1.0	3.0
PSPE-I10BA6M5M-M10	23	10	64	6				
PSPE-I20BA4M5M-M10	51	20	102	4				
PSPE-I20BA6M5M-M10	51	20	102	6				
PSPE-I30BA4M5M-M10	51	30	112	4				
PSPE-I30BA6M5M-M10	51	30	112	6				
PSPE-I40BA4M5M-M10	77	40	148	4				
PSPE-I40BA6M5M-M10	77	40	148	6				
PSPE-I50BA4M5M-M10	77	50	158	4				
PSPE-I50BA6M5M-M10	77	50	158	6				

◇ Note: "F1" means spring force at 0 stroke, F2 means spring force at max stroke.

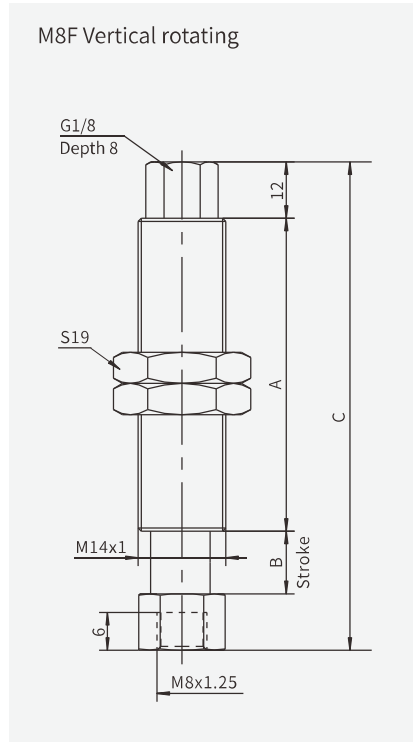
M8M Vertical rotating



Model	A	B	C	F1 (N)	F2 (N)
PSPE-I10M8M-M14	44	10	75	2.0	5.5
PSPE-I20M8M-M14	44	20	85		
PSPE-I30M8M-M14	44	30	95		
PSPE-I50M8M-M14	75	50	146		

◇ Note: "F1" means spring force at 0 stroke, "F2" means spring force at max. stroke.

Dimensions (mm)(mm)



Model	A	B	C	F1 (N)	F2 (N)
PSPE-I10M8F-M14	44	10	75	2.0	5.5
PSPE-I20M8F-M14	44	20	85		
PSPE-I30M8F-M14	44	30	95		
PSPE-I50M8F-M14	75	50	146		

◇ Note: "F1" means spring force at 0 stroke, "F2" means spring force at max. stroke.

Mounting Parts

PSPE

PSPT

PSPH

PSPD

PSPF

PJS

PJT

PJF

PJB

PJE

PJH