

## Features

- ◇ Corrosive resistance and wear resistance, smoothly operating.
- ◇ Built-in oil free bushing has good wear resistance, which enhances lifetime.
- ◇ Built-in and external spring, 2 types for option.
- ◇ G1/4 and G3/8 light weight design reduces the load on the robot.



## Applications

- ◇ Various connection threads are available, suitable for all kinds of applications such as packaging and handling of metal plate, etc.

## How to order

### PSPT - I 10 LM5 G1M- M16

①      ②      ③      ④      ⑤      ⑥

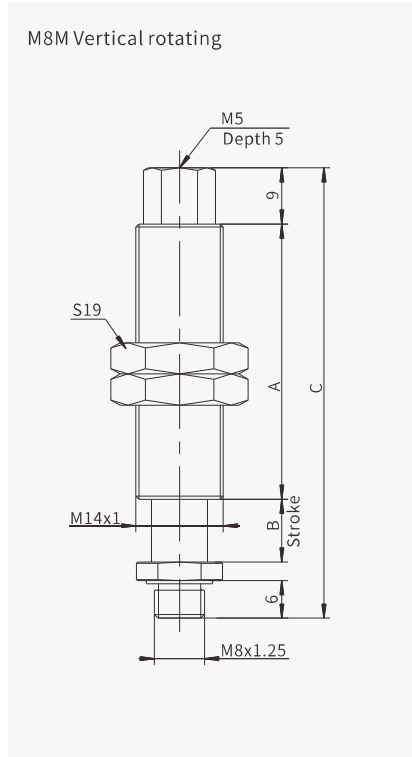
① Series	② Buffer style	③ Buffer stroke	④ Vacuum port connection	⑤ Suction cup connection	⑥ Mounting thread
PSPT	I - Built-in spring	10 60	Nil - Vertical rotating	M8M - M8 Male thread	M14 - M14×1
	E - External spring	20 75	R - Vertical non-rotating	M8F - M8 Female thread	M16 - M16×1
		30 90	LM5 - Lateral rotating M5	G1M - G1/8 Male thread	M18 - M18×1
		50 110		G2M - G1/4 Male thread	
				G3M - G3/8 Male thread	
				G1F - G1/8 Female thread	
				G2F - G1/4 Female thread	

## Selection

Model	Buffer style		Buffer stroke(mm)							Connection thread	Mounting thread	
	I	E	10	20	30	50	60	75	90			110
PSPT	●	-	●	●	●	●	-	-	-	-	M8M, M8F	M14
	●	-	●	●	●	●	-	-	-	-	G1M, LM5G1M, G1F	M16
	●	-	●	●	●	●	-	-	-	-	G2M, RG2M, G2F	M18
	●	-	●	●	●	●	-	-	-	-	G3M, RG3M	M18
	-	●	-	-	-	-	●	●	●	●	G2M, G3M	M18

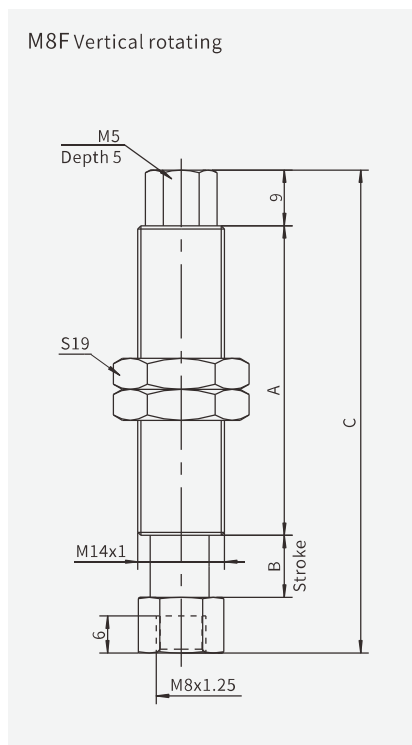
◇ Note: "●"- default, in stock. "-"-unavailable.

**Dimensions(mm)**



Model	A	B	C	F1 (N)	F2 (N)
<b>PSPT-I10M8M-M14</b>	44	10	72	2.0	5.5
<b>PSPT-I20M8M-M14</b>	44	20	82		
<b>PSPT-I30M8M-M14</b>	44	30	92		
<b>PSPT-I50M8M-M14</b>	75	50	143		

◇ Note: "F1 "means spring force at 0 stroke, F2 means spring force at max stroke.



Model	A	B	C	F1 (N)	F2 (N)
<b>PSPT-I10M8F-M14</b>	44	10	72	2.0	5.5
<b>PSPT-I20M8F-M14</b>	44	20	82		
<b>PSPT-I30M8F-M14</b>	44	30	92		
<b>PSPT-I50M8F-M14</b>	75	50	143		

◇ Note: "F1 "means spring force at 0 stroke, F2 means spring force at max stroke.

PSPE

**PSPT**

PSPH

PSPD

PSPF

PJS

PJT

PJF

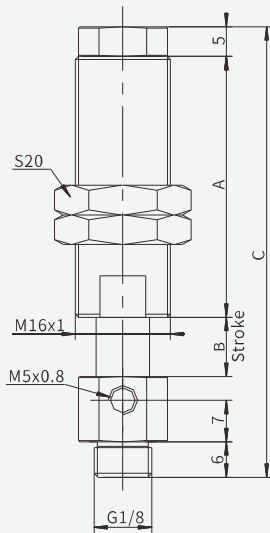
PJB

PJE

PJH

**Dimensions(mm)**

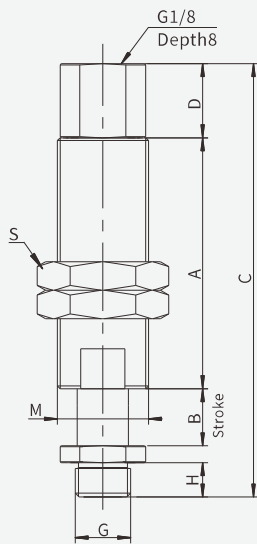
G1M Lateral rotating



Model	A	B	C	F1 (N)	F2 (N)
<b>PSPT-I10LM5G1M-M16</b>	44	10	76	2.0	5.5
<b>PSPT-I20LM5G1M-M16</b>	44	20	86		
<b>PSPT-I30LM5G1M-M16</b>	44	30	96		
<b>PSPT-I50LM5G1M-M16</b>	75	50	147		

◇ Note: "F1 "means spring force at 0 stroke, F2 means spring force at max stroke.

G1M/G2M/G3M Vertical rotating

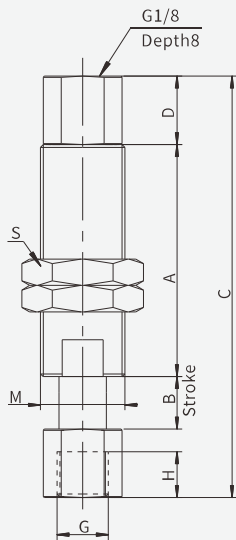


Model	A	B	C	D	G	H	S	M	F1(N)	F2(N)
<b>PSPT-I10G1M-M16</b>	44	10	76	13	G1/8	6	20	M16x1	2.0	5.5
<b>PSPT-I20G1M-M16</b>	44	20	86							
<b>PSPT-I30G1M-M16</b>	44	30	96							
<b>PSPT-I50G1M-M16</b>	75	50	147							
<b>PSPT-I10G2M-M18</b>	28	10	65	15	G1/4	8	22	M18x1	4.0	7.0
<b>PSPT-I20G2M-M18</b>	38	20	85							
<b>PSPT-I30G2M-M18</b>	48	30	105							
<b>PSPT-I50G2M-M18</b>	68	50	145							
<b>PSPT-I10G3M-M18</b>	28	10	65	15	G3/8	8	22	M18x1	4.0	7.0
<b>PSPT-I20G3M-M18</b>	38	20	85							
<b>PSPT-I30G3M-M18</b>	48	30	105							
<b>PSPT-I50G3M-M18</b>	68	50	145							

◇ Note: "F1 "means spring force at 0 stroke, F2 means spring force at max stroke.

**Dimensions(mm)**

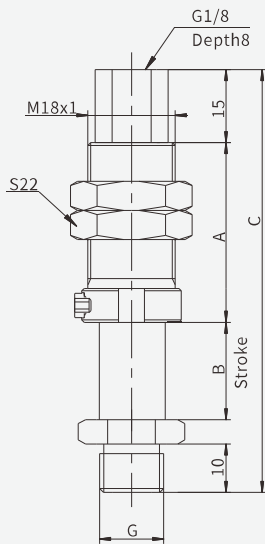
G1F/G2F Vertical rotating



Model	A	B	C	D	G	H	S	M	F1(N)	F2(N)
PSPT-I10G1F-M16	44	10	80	13	G1/8	8	20	M16x1	2.0	5.5
PSPT-I20G1F-M16	44	20	90							
PSPT-I30G1F-M16	44	30	100							
PSPT-I50G1F-M16	75	50	151							
PSPT-I10G2F-M18	28	10	70.5	15	G1/4	12	22	M18x1	4.0	7.0
PSPT-I20G2F-M18	38	20	90.5							
PSPT-I30G2F-M18	48	30	110.5							
PSPT-I50G2F-M18	68	50	150.5							

◇ Note: "F1 "means spring force at 0 stroke, F2 means spring force at max stroke.

G2M/G3M Vertical non-rotating



Model	A	B	C	G	F1(N)	F2(N)
PSPT-I10RG2M-M18	30	10	70	G1/4	4.0	7.0
PSPT-I20RG2M-M18	40	20	90			
PSPT-I30RG2M-M18	50	30	110			
PSPT-I50RG2M-M18	70	50	150			
PSPT-I10RG3M-M18	30	10	70	G3/8	4.0	7.0
PSPT-I20RG3M-M18	40	20	90			
PSPT-I30RG3M-M18	50	30	110			
PSPT-I50RG3M-M18	70	50	150			

◇ Note: "F1 "means spring force at 0 stroke, F2 means spring force at max stroke.

PSPE

**PSPT**

PSPH

PSPD

PSPF

PJS

PJT

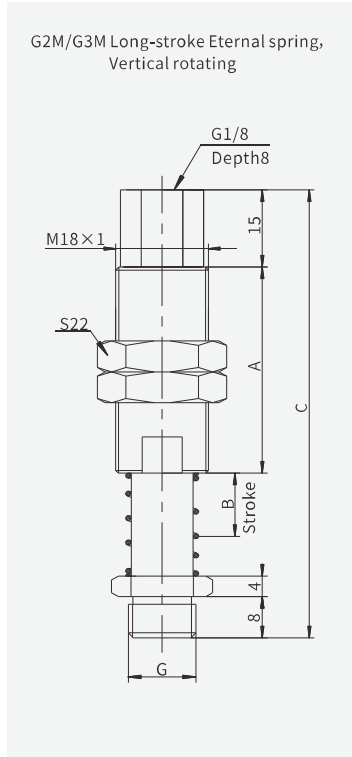
PJF

PJB

PJE

PJH

**Dimensions(mm)**



Model	A	B	C	G	F1(N)	F2(N)
PSPT-E60G2M-M18	40	60	150	G1/4	4.5	17.0
PSPT-E75G2M-M18	40	75	170			
PSPT-E90G2M-M18	40	90	185			
PSPT-E110G2M-M18	40	110	205			
PSPT-E60G3M-M18	40	60	150	G3/8	4.5	17.0
PSPT-E75G3M-M18	40	75	170			
PSPT-E90G3M-M18	40	90	185			
PSPT-E110G3M-M18	40	110	205			

◇ Note: "F1 " means spring force at 0 stroke, F2 means spring force at max stroke.